
Wireless Access in the Kista IT-University*

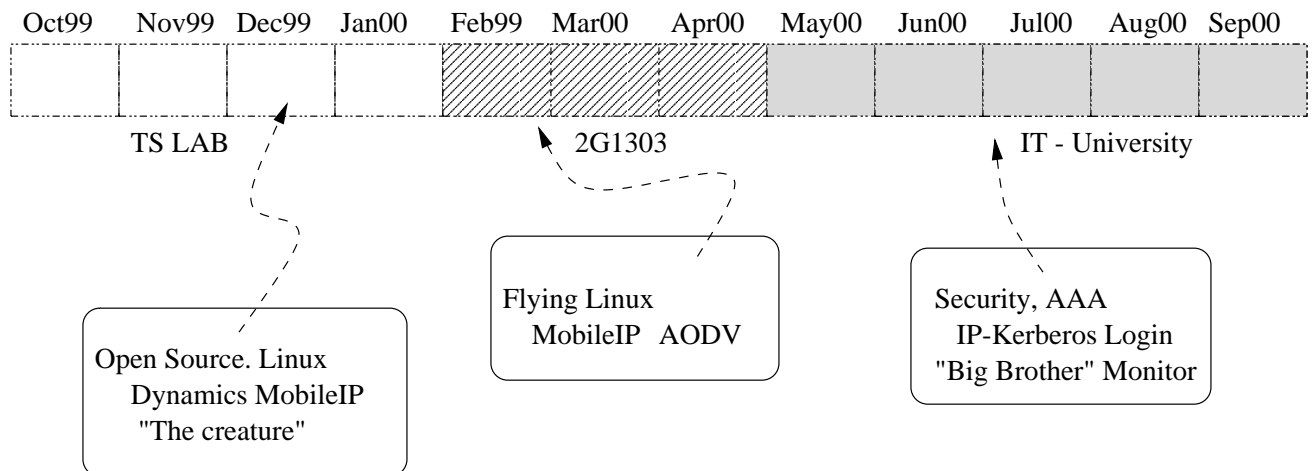
*Alberto Escudero alberto@it.kth.se et al.
Institution for Microelectronics and
Information Technology*

Kista - Sweden

** 11th IEEE Workshop on Local and Metropolitan Area
Networks (LANMAN'2001),
March 18-20 2001, Boulder Co., USA.*

▷ 'Flyinglinux.NET'

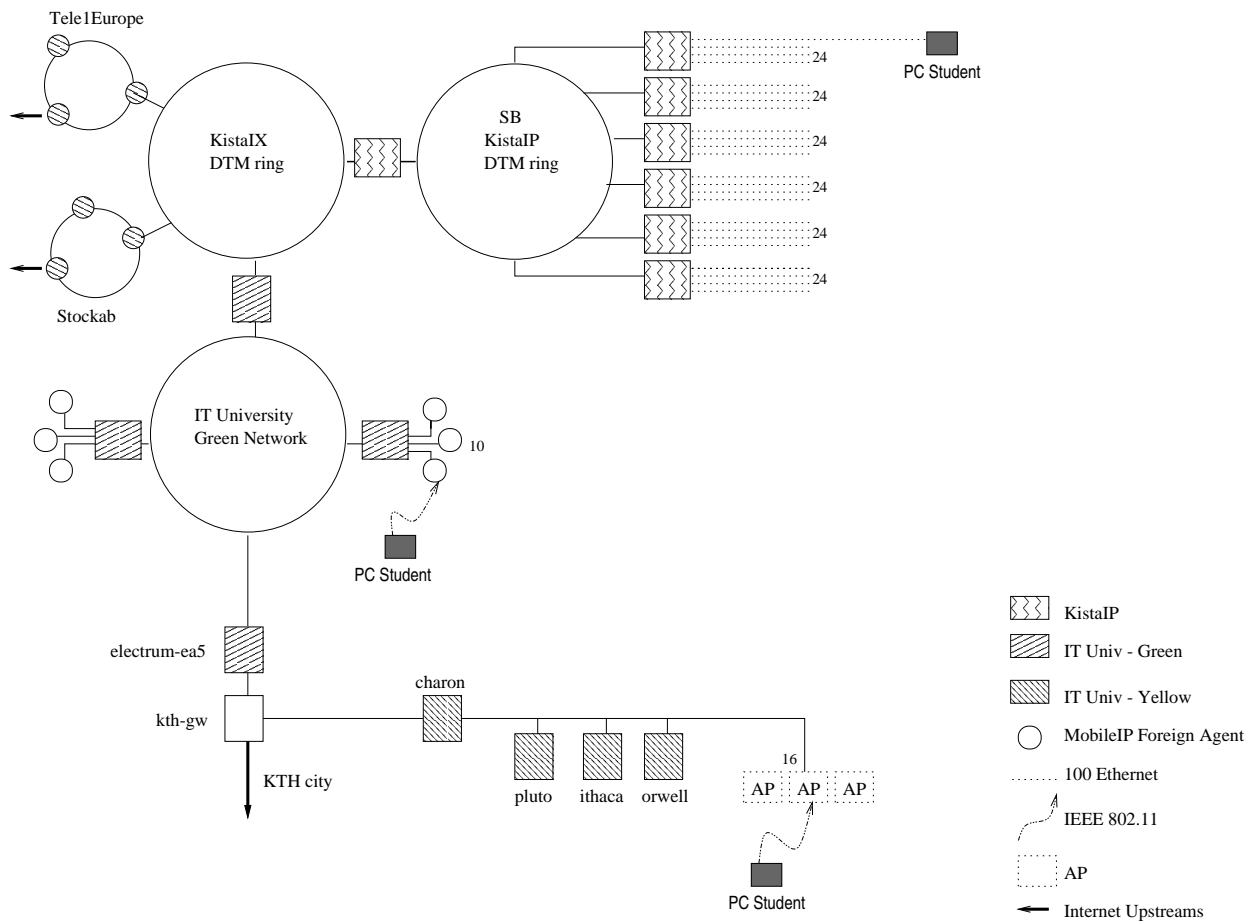
Oct99-Oct00:from the TSLab to the IT-University



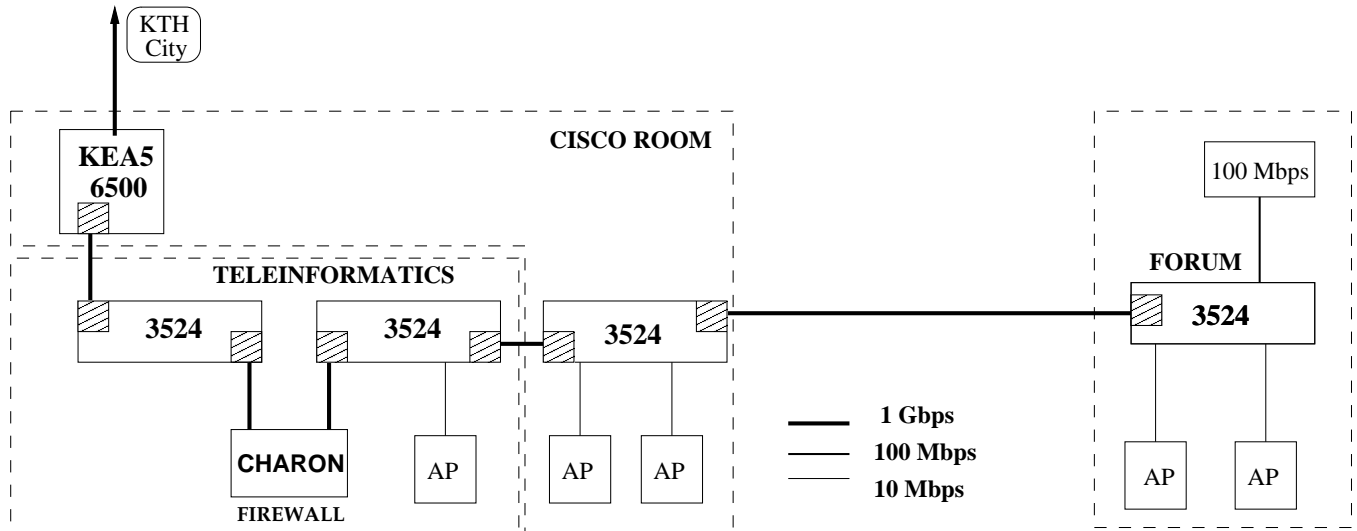
▷ Goals

- Global wireless access @ IT-University.
- Focus on security and mobility.
- Research network.
- Learning environment.

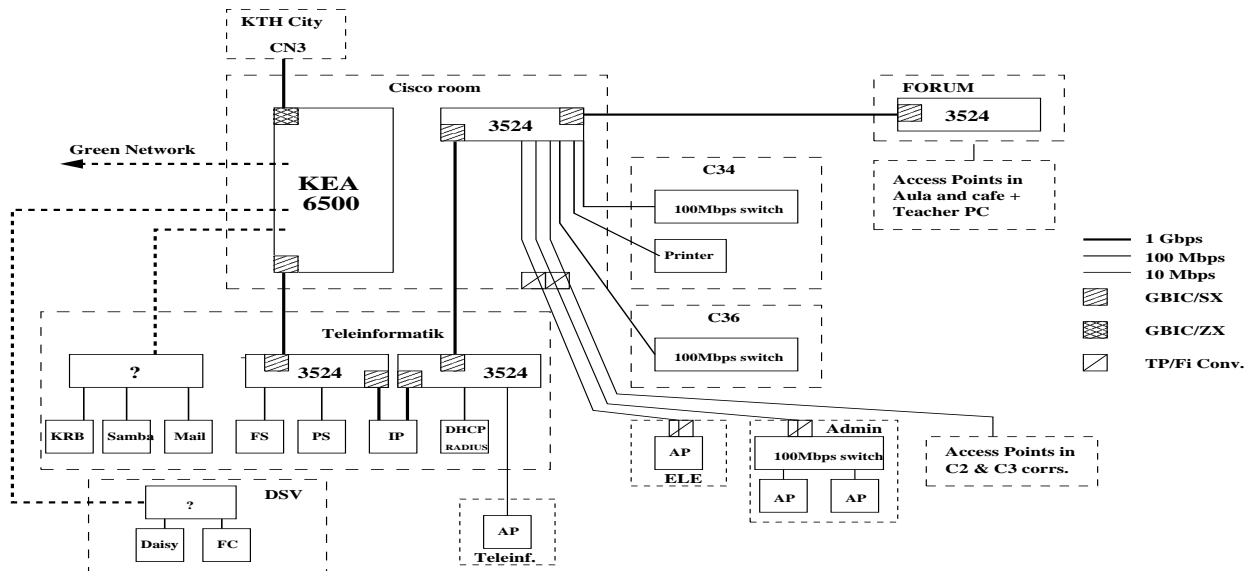
▷ IT-Univ NET



▷ YellowNET overview

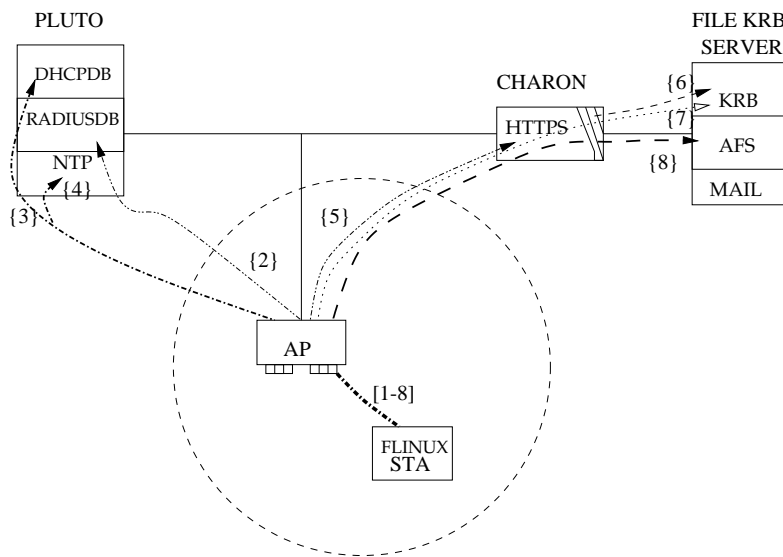


Yellow network fall 2000. Electrum (detail)
Status October 2000

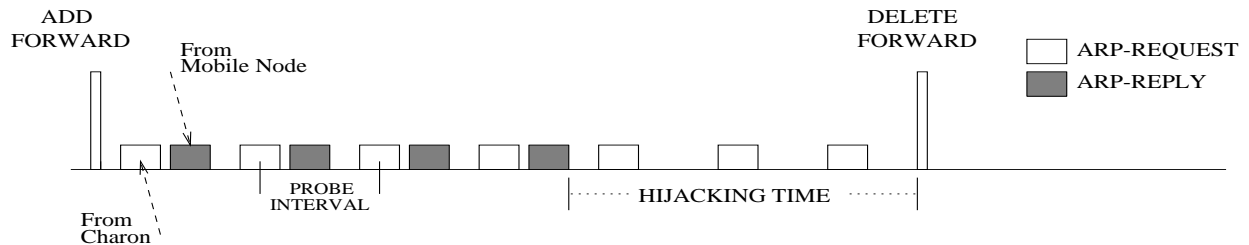


▶ YellowNET Auth.

IP-Kerberos Login

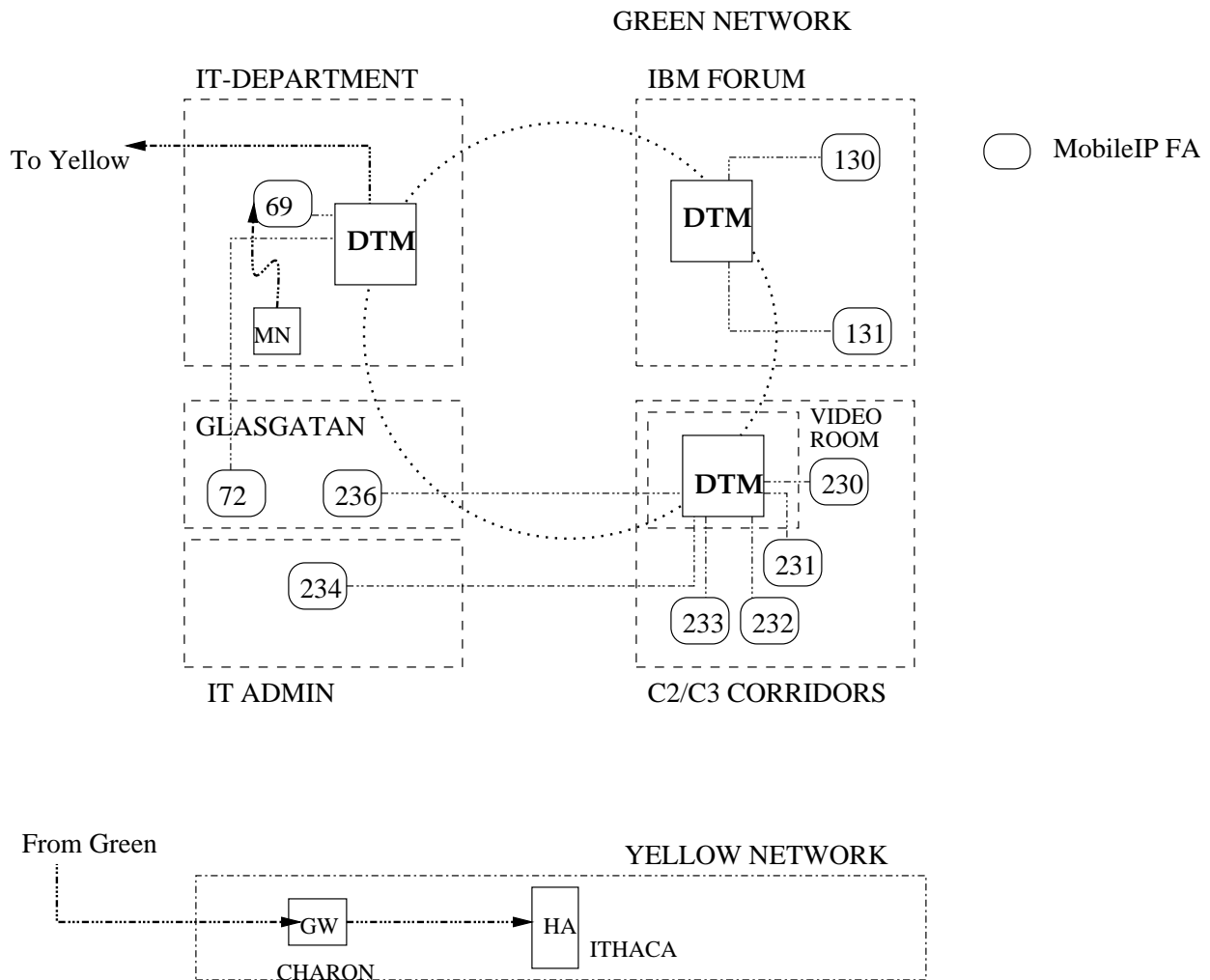


Vulnerabilities



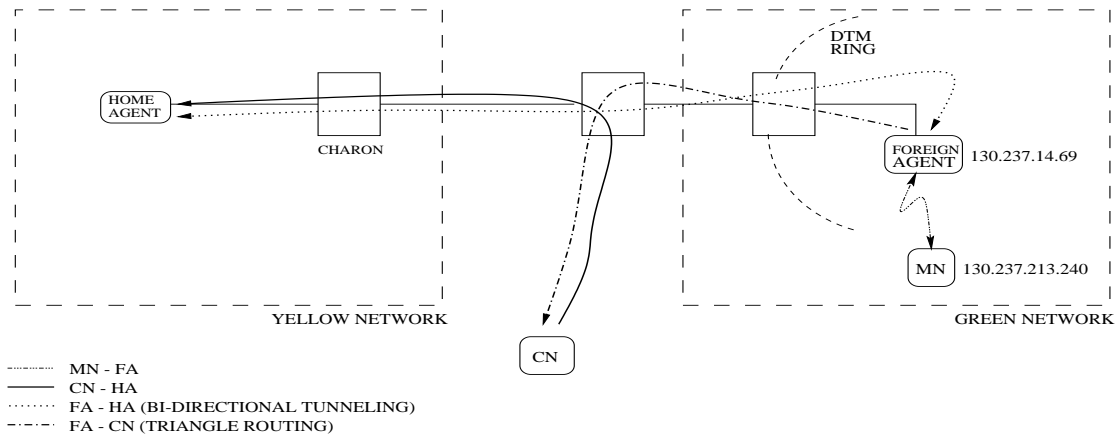
▷ GreenNET overview

MobileIP Foreign Networks

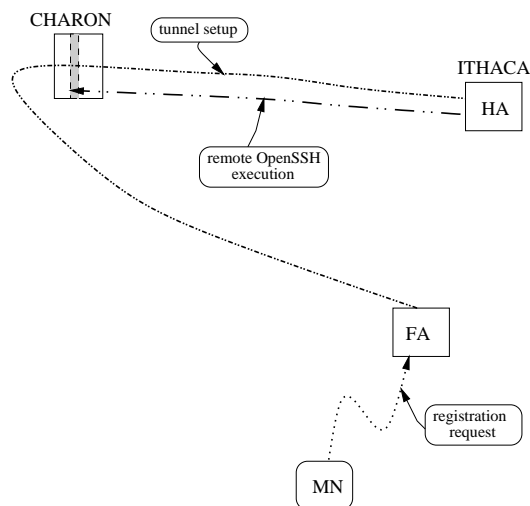


▷ GreenNET overview

Firewalled Home Agent



'Home Agent Relay' Firewall Authentication



▷ *Security*

- IP-Kerberos Login vulnerabilities.
- “00:60:1D:F1:64:D4” = nym(aep@it.kth.se).
- DoS attacks.
- 'Big Brother' redesign.
- Location privacy policies.
- Traffic analysis. Intrusion detection.

▷ *Conclusions*

- A new approach to spaces
- Security with low maintenance
- High Mobility
- Research opportunities
- Open Source development

▷ *Future work*

- Kerberos V, FlyingLinux-2001, Windows2000
- IPv6, MobileIPv6
- Monitor: Big Brother - II
- Security: FlyingFreedom
- Vertical handovers: GPRS, Bluetooth
- IntereXchange technologies.

▷ *More info*

-FlyingLinux.NET.

<http://www.flyinglinux.net/docs>

- IT University.

<http://www.it-universitetet.kth.se>

- Big 'flying' Brother.

<http://www.flyinglinux.net/bigbrother>

-Press articles.

<http://www.it.kth.se/~aep/publications>